

CONSTRUX™ Mini

SPACER SYSTEM

Operative Technique



Table of Contents

1

Introduction

2

Operative Technique - Cervical Intervertebral Body

7

Operative Technique - Partial Vertebral Body Replacement

11

Part Numbers

The surgical technique shown is for illustrative purposes only. The technique(s) actually employed in each case will always depend upon the medical judgment of the surgeon exercised before and during surgery as to the best mode of treatment for each patient. Please see the Instructions For Use for the complete list of indications, warnings, precautions, and other important medical information.

CONSTRUX™ Mini
SPACER SYSTEM

INTRODUCTION

The CONSTRUX® Mini Spacer System has been designed to optimize Anterior Cervical Procedures with surgeon designed implants and instruments. The CONSTRUX Mini Spacer System offers implants manufactured from either PEEK, Titanium, or PEEK Titanium Composite (PTC) materials. The CONSTRUX Mini Spacer System offers multiple implant options for various surgical solutions as well as straightforward instrumentation for easy implantation.

DESIGN ADVANTAGES

CONSTRUX® Mini PEEK	CONSTRUX® Mini PTC	CONSTRUX® Mini Ti
Radiolucent implant with four titanium markers for enhanced intraoperative visibility	3D porous titanium with macro, micro, and nano-scale surface features	
Anti-migration ribs for secure placement	The nano-scale surface has been shown to increase proliferation and alkaline phosphatase activity (an early osteogenic differentiation marker) in human stem cells in vitro*	
	3D-printed titanium endplates with 400 micron pores and 50% porosity are designed to help facilitate bone ingrowth**	
	The endplates consist of interconnected gyroid structures analogous in form to trabecular bone which provide an open porous environment	
	PEEK core to obtain imaging properties while assessing fusion	Functional gradient porous structure with 80% porosity at the midline of the implant allows for increased fluoroscopic visualization
Straightforward instrumentation for easy implantation		
Large center opening for packing bone grafting material		Large center opening with concaved inner walls for packing bone grafting material

*In vitro performance may not be representative of clinical performance

**As suggested in an in-vivo lumbar spinal fusion model

STERILIZATION

CONSTRUX Mini PTC Spacer implants and CONSTRUX Mini Ti Spacer implants are provided in a sterile package. CONSTRUX Mini PEEK Spacer implants are provided both sterile and non-sterile.

STERILE IMPLANTS

Carefully confirm the implant size that you desire from the outside label prior to opening the box or inside trays. The implants are packaged in a double-tray with a peel-back lid for easy transfer into the sterile field. If the implant is opened and not used, the implant MAY NOT be sterilized and used again.

NON-STERILE IMPLANTS AND INSTRUMENTS

CONSTRUX Mini Spacer instruments and some CONSTRUX Mini PEEK implants are provided non-sterile and requires sterilization prior to each surgery. CONSTRUX Mini Spacer System instruments are used with CONSTRUX Mini PEEK, Ti, and PTC implants.

CERVICAL INTERVERTEBRAL BODY

The following section demonstrates the procedure for Cervical Intervertebral Body technique

1. PREOPERATIVE PLANNING AND PATIENT POSITIONING

Preoperative planning is critical in the preparation process for spinal surgery. A complete radiographic evaluation (A/P and Lateral films) is recommended for proper diagnosis prior to surgery. Carefully position the patient in the supine position on the operating table ensuring all bony prominences are padded and the cervical spine is in a neutral to slightly extended position following the induction of anesthesia. **(Fig 1)**



Fig. 1

2. EXPOSURE/DISCECTOMY

The affected disc space is exposed using the appropriate anterior approach. The disc material is excised and both the superior and inferior endplates are prepared. **(Fig 2)**

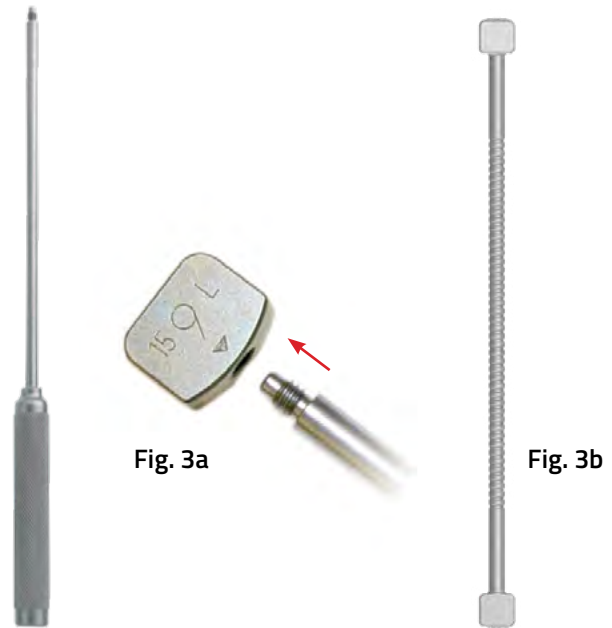


Fig. 2

3. IMPLANT SIZING

Selection of the proper implant is essential. Attach the trial inserter into the allotted screw hole in the trial. **(Fig. 3a)** Place the trials, in sequential order, into the disc space to determine the proper implant size (height, footprint and lordosis). The trial spacer should fit tightly between the endplates in footprint, height, depth and lordotic angle. The use of lateral fluoroscopy will assist in determining proper implant depth. The monolithic double ended trials may also be used to determine proper implant sizing **(Fig. 3b)**.

CAUTION: There is no depth limiting stop on the trials or rasp. Instruments should be impacted only as deep as intended for interbody spacer placement. Lateral fluoroscopy is recommended to confirm desired position of interbody.



4. RASPING

A Universal Rasp (83-9040) may be used to prepare the end plates. Move the universal rasp anterior/posterior and medial/lateral around the vertebral endplates until desired preparation is achieved. **(Fig. 4)**.

NOTE: Optional rasps that mirror the interbody footprint are available by request only.



5. LOADING THE IMPLANT WITH IMPLANT INSERTER (47-1040)

Once the proper implant size has been determined, attach the implant to the implant inserter. This is achieved by un-threading the knob counterclockwise to ensure inserter is in the unlocked position. Slide the implant onto the prongs of the inserter.

(Fig. 5a) Thread the knob clockwise to lock the inserter and secure the implant. **(Fig. 5b)** The implant window is intended to be filled with autograft and/or allograft comprised of cancellous and/or corticocancellous bone graft to help promote fusion.

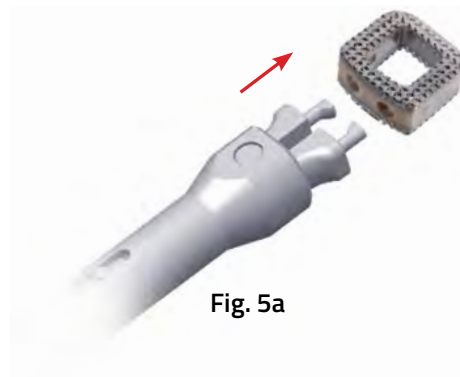


Fig. 5a



Fig. 5b

LOADING THE IMPLANT WITH MINI INSERTER (47-1030)

Once the proper implant size has been determined, attach the implant to the implant inserter. This is achieved by pressing the back of the inserter forward into the unlocked position. **(Fig. 5d)** Slide the implant onto the prongs on the inserter. **(Fig. 5c)** Release the back of the inserter to secure the implant. The implant window is intended to be filled with autograft and/or allograft comprised of cancellous and/or corticocancellous bone graft to help promote fusion.

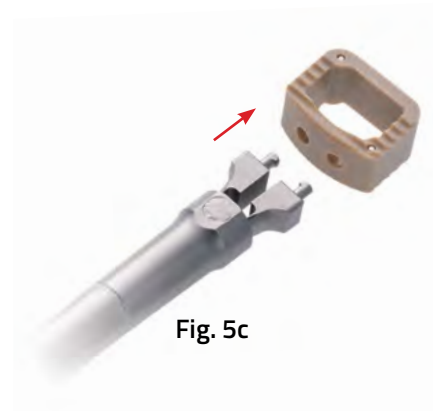


Fig. 5c



Fig. 5d

6. IMPLANT INSERTION

Insert the implant into the disc space. **(Fig. 6a)**
Under the guidance of fluoroscopy, the orientation of the implant can be assessed. If repositioning is needed, use the **Implant Impactor (30-1030)**.

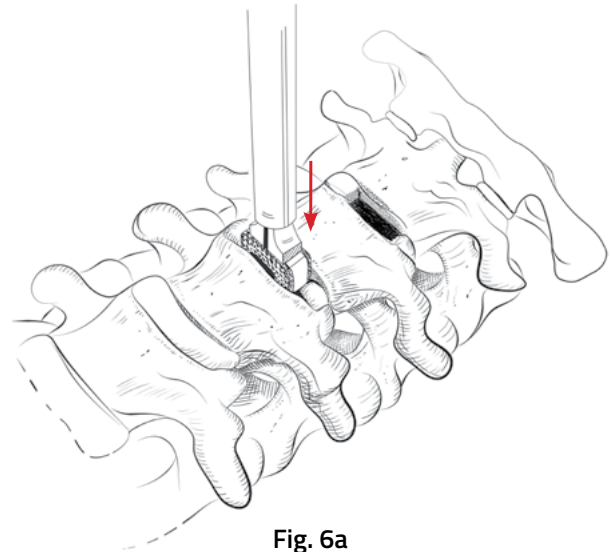


Fig. 6a

Repeat steps 2-6 for adjacent level implant **(Fig. 6b)**

Following confirmation of appropriate implant placement, use supplemental fixation system for fusion stability at the treated levels.

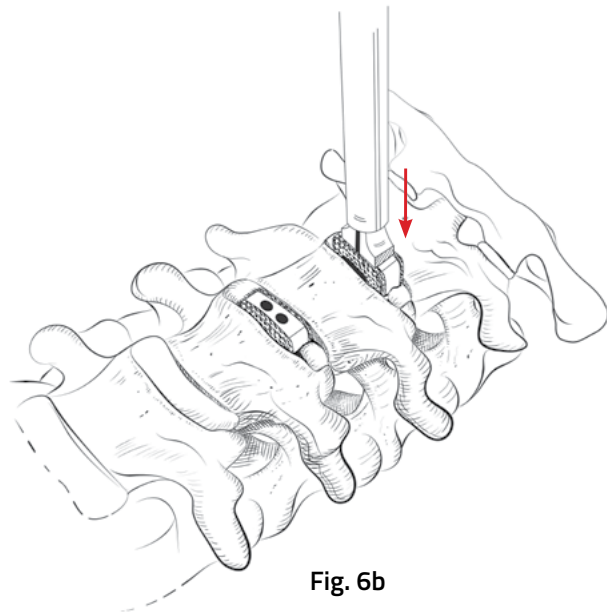


Fig. 6b

7. IMPLANT REMOVAL AND REVISION

If removal of the implant is required, use the implant inserter to re-engage the implant and pull the implant out of the intervertebral space. If necessary, distract the vertebrae inferior and superior to the implant for removal. **(Fig. 7a)**

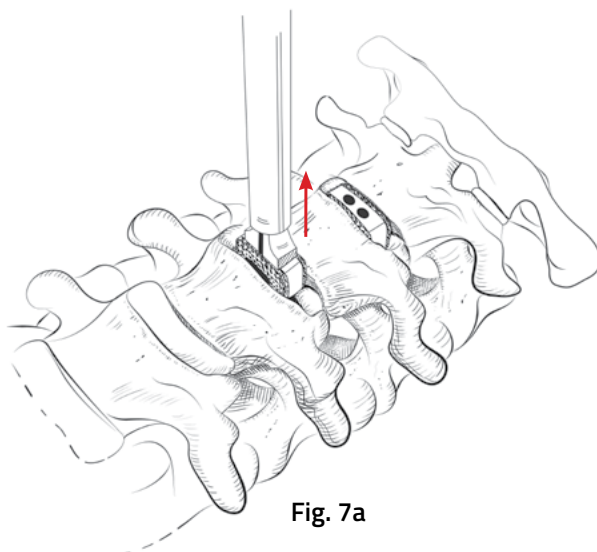


Fig. 7a

Repeat step 7 to remove adjacent level implant **(Fig. 7b)**

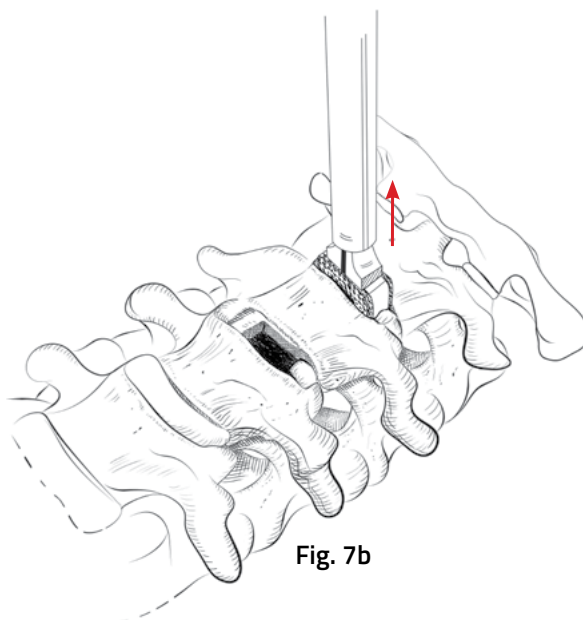


Fig. 7b

PARTIAL VERTEBRAL BODY REPLACEMENT

The following section demonstrates the procedure for Partial Intervertebral Body Replacement technique for the CONSTRUX Mini PEEK Spacer System. Lordotic impants greater than a 5° lordotic profile are not to be used for partial vertebral body replacement.

1. PREOPERATIVE PLANNING AND PATIENT POSITIONING

Preoperative planning is critical in the preparation for spinal surgery. A complete radiographic evaluation (A/P and lateral films) measuring the vertebral body dimension is recommended for proper diagnosis prior to surgery.

Carefully place the patient in the supine position on the operating table with all bony prominences padded and the lumbar spine in neutral to slight extension following induction of anesthesia. **(Fig. 1)** Once the patient is placed on the table, use a lateral C-Arm fluoroscopy to visualize the lumbar spine.



Fig. 1

2. PARTIAL VERTEBRAL BODY REMOVAL

The traumatized or diseased vertebral body is exposed through the appropriate anterior approach. The affected partial vertebral body and disc material is excised and both superior and inferior surfaces are prepared. **(Fig. 2)**

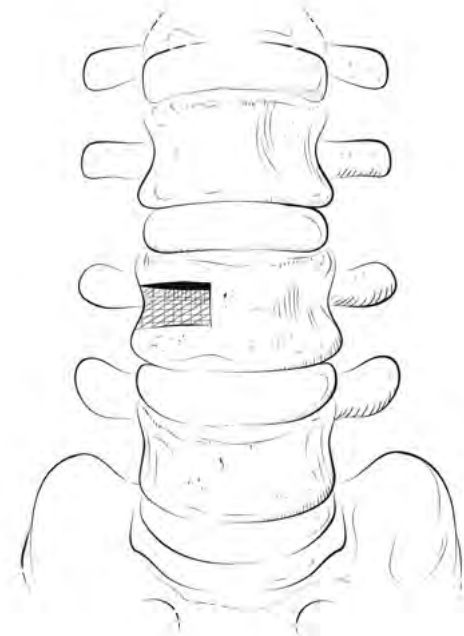


Fig. 2

3. IMPLANT SIZING

Selection of the proper implant is essential. Attach the trial inserter into the allotted screw hole in the trial. **(Fig. 3a)** Place the trials, in sequential order, into the affected space to determine the proper implant size (height, footprint and lordosis). The trial spacer should fit tightly between the endplates in footprint, height, depth and lordotic angle. The use of lateral fluoroscopy will assist in determining proper implant depth. The monolithic double ended trials may also be used to determine proper implant sizing **(Fig. 3b)**.

CAUTION: There is no depth limiting stop on the trials or rasp. Instruments should be impacted only as deep as intended for partial VBR spacer placement. Lateral fluoroscopy is recommended to confirm desired position of partial VBR.

NOTE: When used as a partial VBR device, the CONSTRUX Mini PEEK Spacer System is intended for use in affected vertebral body segments that are equal to or smaller than the size of the device. For larger affected vertebral body segments, a larger device indicated for partial or full VBR is recommended. Lordotic implants greater than a 5° lordotic profile are not to be used for partial vertebral body replacement.



Fig. 3a



Fig. 3b

4. RASPING

A Universal Rasp (83-9040) may be used to prepare the end plates. Move the universal rasp anterior/posterior and medial/lateral around the vertebral endplates until desired preparation is achieved. **(Fig. 4)**.

NOTE: Optional rasps that mirror the interbody footprint are available by request only.

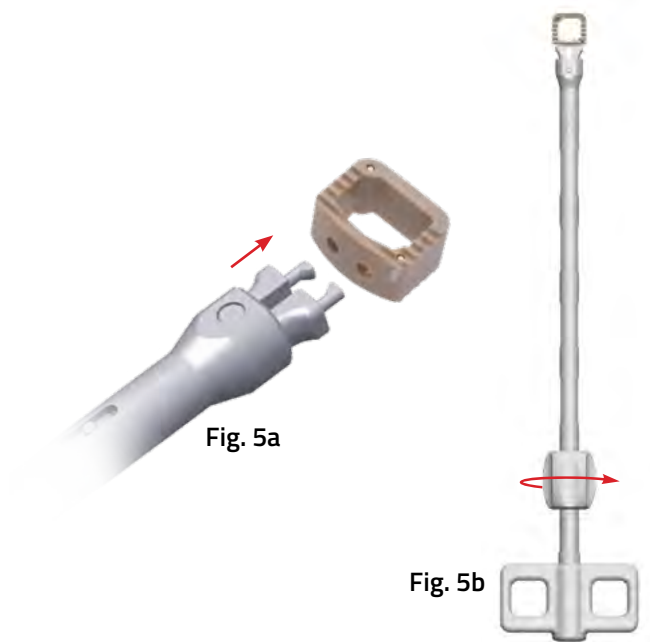


Fig. 4

5. LOADING THE IMPLANT WITH IMPLANT INSERTER (47-1040)

Once the proper implant size has been determined, attach the implant to the implant inserter. This is achieved by un-threading the knob counterclockwise to ensure inserter is in the unlocked position. Slide the implant onto the prongs of the inserter.

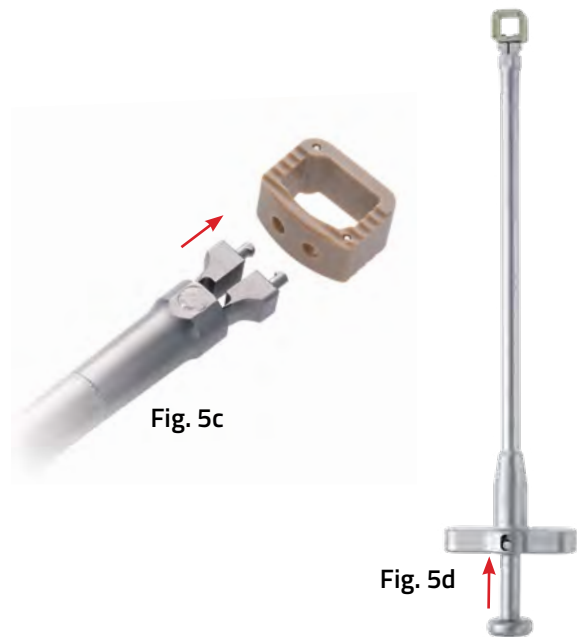
(Fig. 5a) Thread the knob clockwise to lock the inserter and secure the implant. **(Fig. 5b)** The implant window is intended to be filled with autograft and/or allograft bone graft to help promote fusion.



LOADING THE IMPLANT WITH MINI INSERTER (47-1030)

Once the proper implant size has been determined, attach the implant to the implant inserter. This is achieved by pressing the back of the inserter forward into the unlocked position. **(Fig. 5d)** Slide the implant onto the prongs on the inserter.

(Fig. 5c) Release the back of the inserter to secure the implant. The implant window is intended to be filled with autograft and/or allograft bone graft to help promote fusion.



6. IMPLANT INSERTION

Insert the implant into the affected space. **(Fig. 6)** Under guidance of fluoroscopy, the orientation of the implant can be assessed. If repositioning is needed, use the implant tamp.

Following confirmation of appropriate implant placement, use supplemental fixation system for fusion stability at the treated levels.

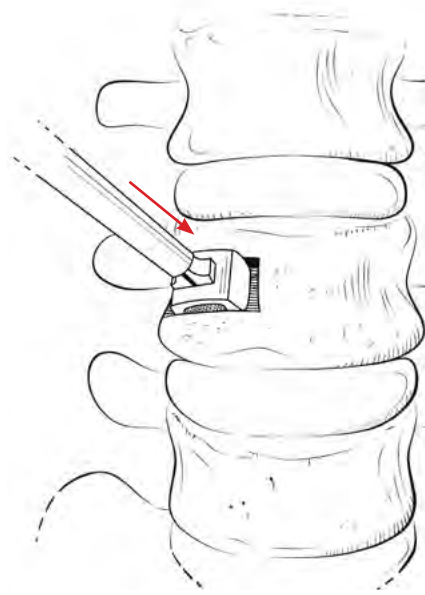


Fig. 6

7. IMPLANT REMOVAL AND REVISION

If removal of the implant is required use the implant inserter to re-engage the implant and pull the implant out of the affected space. **(Fig. 7)** If necessary, distract inferior and superior to the implant for removal.

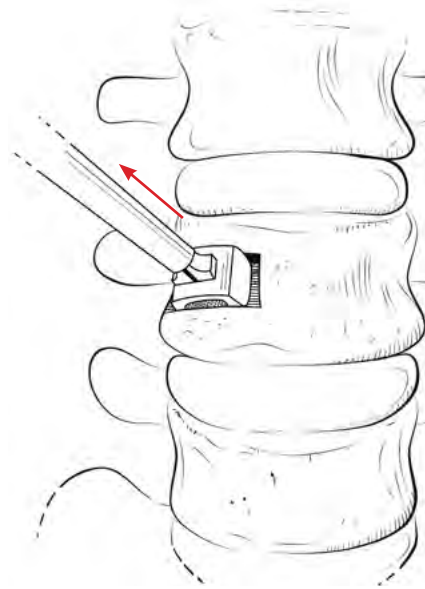


Fig. 7

CONSTRUX Mini PEEK Implants

12mm x 12mm Parallel Implants

Sterile Part #	Non-Sterile Part #	Description	Graft Vol. (cc)
47-3105SP	47-3105C	12mm W x 12mm L, Parallel - 5mm H	0.31
47-3106SP	47-3106C	12mm W x 12mm L, Parallel - 6mm H	0.37
47-3107SP	47-3107C	12mm W x 12mm L, Parallel - 7mm H	0.43
47-3108SP	47-3108C	12mm W x 12mm L, Parallel - 8mm H	0.49
47-3109SP	47-3109C	12mm W x 12mm L, Parallel - 9mm H	0.55
47-3110SP	47-3110C	12mm W x 12mm L, Parallel - 10mm H	0.61
47-3111SP	47-3111C	12mm W x 12mm L, Parallel - 11mm H	0.67
47-3112SP	47-3112C	12mm W x 12mm L, Parallel - 12mm H	0.73

15mm x 12mm Parallel Implants

Sterile Part #	Non-Sterile Part #	Description	Graft Vol. (cc)
47-4105SP	47-4105C	15mm W X 12mm L, Parallel - 5mm H	0.43
47-4106SP	47-4106C	15mm W X 12mm L, Parallel - 6mm H	0.51
47-4107SP	47-4107C	15mm W X 12mm L, Parallel - 7mm H	0.59
47-4108SP	47-4108C	15mm W X 12mm L, Parallel - 8mm H	0.67
47-4109SP	47-4109C	15mm W X 12mm L, Parallel - 9mm H	0.76
47-4110SP	47-4110C	15mm W X 12mm L, Parallel - 10mm H	0.84
47-4111SP	47-4111C	15mm W X 12mm L, Parallel - 11mm H	0.92
47-4112SP	47-4112C	15mm W X 12mm L, Parallel - 12mm H	1.00



CONSTRUX Mini PEEK Implants (Cont.)

12mm x 12mm Lordotic Implants

Sterile Part #	Non-Sterile Part #	Description	Graft Vol. (cc)
47-3005SP	47-3005C	12mm W X 12mm L, 5° Lordotic - 5mm H	0.28
47-3006SP	47-3006C	12mm W X 12mm L, 5° Lordotic - 6mm H	0.34
47-3007SP	47-3007C	12mm W X 12mm L, 5° Lordotic - 7mm H	0.40
47-3008SP	47-3008C	12mm W X 12mm L, 5° Lordotic - 8mm H	0.46
47-3009SP	47-3009C	12mm W X 12mm L, 5° Lordotic - 9mm H	0.52
47-3010SP	47-3010C	12mm W X 12mm L, 5° Lordotic - 10mm H	0.58
47-3011SP	47-3011C	12mm W X 12mm L, 5° Lordotic - 11mm H	0.64
47-3012SP	47-3012C	12mm W X 12mm L, 5° Lordotic - 12mm H	0.70
47-3206SP	N/A	12mm W X 12mm L, 10° Lordotic - 6mm H	0.31
47-3207SP	N/A	12mm W X 12mm L, 10° Lordotic - 7mm H	0.37
47-3208SP	N/A	12mm W X 12mm L, 10° Lordotic - 8mm H	0.43
47-3209SP	N/A	12mm W X 12mm L, 10° Lordotic - 9mm H	0.49
47-3210SP	N/A	12mm W X 12mm L, 10° Lordotic - 10mm H	0.55
47-3211SP	N/A	12mm W X 12mm L, 10° Lordotic - 11mm H	0.61
47-3212SP	N/A	12mm W X 12mm L, 10° Lordotic - 12mm H	0.67

15mm x 12mm Lordotic Implants

Sterile Part #	Non-Sterile Part #	Description	Graft Vol. (cc)
47-4005SP	47-4005C	15mm W X 12mm L, 5° Lordotic - 5mm H	0.38
47-4006SP	47-4006C	15mm W X 12mm L, 5° Lordotic - 6mm H	0.47
47-4007SP	47-4007C	15mm W X 12mm L, 5° Lordotic - 7mm H	0.55
47-4008SP	47-4008C	15mm W X 12mm L, 5° Lordotic - 8mm H	0.63
47-4009SP	47-4009C	15mm W X 12mm L, 5° Lordotic - 9mm H	0.71
47-4010SP	47-4010C	15mm W X 12mm L, 5° Lordotic - 10mm H	0.79
47-4011SP	47-4011C	15mm W X 12mm L, 5° Lordotic - 11mm H	0.88
47-4012SP	47-4012C	15mm W X 12mm L, 5° Lordotic - 12mm H	0.96
47-4206SP	N/A	15mm W X 12mm L, 10° Lordotic - 6mm H	0.42
47-4207SP	N/A	15mm W X 12mm L, 10° Lordotic - 7mm H	0.50
47-4208SP	N/A	15mm W X 12mm L, 10° Lordotic - 8mm H	0.58
47-4209SP	N/A	15mm W X 12mm L, 10° Lordotic - 9mm H	0.67
47-4210SP	N/A	15mm W X 12mm L, 10° Lordotic - 10mm H	0.75
47-4211SP	N/A	15mm W X 12mm L, 10° Lordotic - 11mm H	0.83
47-4212SP	N/A	15mm W X 12mm L, 10° Lordotic - 12mm H	0.91

CONSTRUX Mini PEEK Implants (Cont.)

15mm x 15mm Lordotic Implants

Sterile Part #	Non-Sterile Part #	Description	Graft Vol. (cc)
47-5005SP	N/A	15mm WX 15mm L, 5° Lordotic - 5mm H	0.53
47-5006SP	N/A	15mm WX 15mm L, 5° Lordotic - 6mm H	0.64
47-5007SP	N/A	15mm WX 15mm L, 5° Lordotic - 7mm H	0.75
47-5008SP	N/A	15mm WX 15mm L, 5° Lordotic - 8mm H	0.87
47-5009SP	N/A	15mm WX 15mm L, 5° Lordotic - 9mm H	0.98
47-5010SP	N/A	15mm WX 15mm L, 5° Lordotic - 10mm H	1.09
47-5011SP	N/A	15mm WX 15mm L, 5° Lordotic - 11mm H	1.21
47-5012SP	N/A	15mm WX 15mm L, 5° Lordotic - 12mm H	1.32
47-5206SP	N/A	15mm WX 15mm L, 10° Lordotic - 6mm H	0.56
47-5207SP	N/A	15mm WX 15mm L, 10° Lordotic - 7mm H	0.68
47-5208SP	N/A	15mm WX 15mm L, 10° Lordotic - 8mm H	0.79
47-5209SP	N/A	15mm WX 15mm L, 10° Lordotic - 9mm H	0.91
47-5210SP	N/A	15mm WX 15mm L, 10° Lordotic - 10mm H	1.02
47-5211SP	N/A	15mm WX 15mm L, 10° Lordotic - 11mm H	1.14
47-5212SP	N/A	15mm WX 15mm L, 10° Lordotic - 12mm H	1.25

17mm x 15mm Lordotic Implants

Sterile Part #	Non-Sterile Part #	Description	Graft Vol. (cc)
47-4505SP	N/A	17mm WX 15mm L, 5° Lordotic - 5mm H	0.57
47-4506SP	N/A	17mm WX 15mm L, 5° Lordotic - 6mm H	0.69
47-4507SP	N/A	17mm WX 15mm L, 5° Lordotic - 7mm H	0.82
47-4508SP	N/A	17mm WX 15mm L, 5° Lordotic - 8mm H	0.94
47-4509SP	N/A	17mm WX 15mm L, 5° Lordotic - 9mm H	1.06
47-4510SP	N/A	17mm WX 15mm L, 5° Lordotic - 10mm H	1.19
47-4511SP	N/A	17mm WX 15mm L, 5° Lordotic - 11mm H	1.31
47-4512SP	N/A	17mm WX 15mm L, 5° Lordotic - 12mm H	1.43
47-4606SP	N/A	17mm WX 15mm L, 10° Lordotic - 6mm H	0.61
47-4607SP	N/A	17mm WX 15mm L, 10° Lordotic - 7mm H	0.74
47-4608SP	N/A	17mm WX 15mm L, 10° Lordotic - 8mm H	0.86
47-4609SP	N/A	17mm WX 15mm L, 10° Lordotic - 9mm H	0.99
47-4610SP	N/A	17mm WX 15mm L, 10° Lordotic - 10mm H	1.11
47-4611SP	N/A	17mm WX 15mm L, 10° Lordotic - 11mm H	1.24
47-4612SP	N/A	17mm WX 15mm L, 10° Lordotic - 12mm H	1.36

CONSTRUX Mini PTC Implants

12mm x 12mm Parallel Implants

Part #	Description	Graft Vol. (cc)
37-3106SP	12mm W x 12mm L, Parallel - 6mm H	0.31
37-3107SP	12mm W x 12mm L, Parallel - 7mm H	0.35
37-3108SP	12mm W x 12mm L, Parallel - 8mm H	0.40
37-3109SP	12mm W x 12mm L, Parallel - 9mm H	0.45
37-3110SP	12mm W x 12mm L, Parallel - 10mm H	0.50
37-3111SP	12mm W x 12mm L, Parallel - 11mm H	0.55
37-3112SP	12mm W x 12mm L, Parallel - 12mm H	0.60

15mm x 12mm Parallel Implants

Part #	Description	Graft Vol. (cc)
37-4106SP	15mm W x 12mm L, Parallel - 6mm H	0.43
37-4107SP	15mm W x 12mm L, Parallel - 7mm H	0.50
37-4108SP	15mm W x 12mm L, Parallel - 8mm H	0.57
37-4109SP	15mm W x 12mm L, Parallel - 9mm H	0.64
37-4110SP	15mm W x 12mm L, Parallel - 10mm H	0.71
37-4111SP	15mm W x 12mm L, Parallel - 11mm H	0.77
37-4112SP	15mm W x 12mm L, Parallel - 12mm H	0.85



CONSTRUX Mini PTC Implants (Cont.)

12mm x 12mm Lordotic Implants

Part #	Description	Graft Vol. (cc)
37-3006SP	12mm W x 12mm L, 5° Lordotic - 6mm H	0.28
37-3007SP	12mm W x 12mm L, 5° Lordotic - 7mm H	0.33
37-3008SP	12mm W x 12mm L, 5° Lordotic - 8mm H	0.37
37-3009SP	12mm W x 12mm L, 5° Lordotic - 9mm H	0.43
37-3010SP	12mm W x 12mm L, 5° Lordotic - 10mm H	0.48
37-3011SP	12mm W x 12mm L, 5° Lordotic - 11mm H	0.52
37-3012SP	12mm W x 12mm L, 5° Lordotic - 12mm H	0.57
37-3207SP	12mm W X 12mm L, 10° Lordotic - 7mm H	0.30
37-3208SP	12mm W X 12mm L, 10° Lordotic - 8mm H	0.35
37-3209SP	12mm W X 12mm L, 10° Lordotic - 9mm H	0.40
37-3210SP	12mm W X 12mm L, 10° Lordotic - 10mm H	0.45
37-3211SP	12mm W X 12mm L, 10° Lordotic - 11mm H	0.50
37-3212SP	12mm W X 12mm L, 10° Lordotic - 12mm H	0.54

15mm x 12mm Lordotic Implants

Part #	Description	Graft Vol. (cc)
37-4006SP	15mm W x 12mm L, 5° Lordotic - 6mm H	0.39
37-4007SP	15mm W x 12mm L, 5° Lordotic - 7mm H	0.46
37-4008SP	15mm W x 12mm L, 5° Lordotic - 8mm H	0.53
37-4009SP	15mm W x 12mm L, 5° Lordotic - 9mm H	0.60
37-4010SP	15mm W x 12mm L, 5° Lordotic - 10mm H	0.67
37-4011SP	15mm W x 12mm L, 5° Lordotic - 11mm H	0.74
37-4012SP	15mm W x 12mm L, 5° Lordotic - 12mm H	0.81
37-4207SP	15mm W X 12mm L, 10° Lordotic - 7mm H	0.43
37-4208SP	15mm W X 12mm L, 10° Lordotic - 8mm H	0.50
37-4209SP	15mm W X 12mm L, 10° Lordotic - 9mm H	0.57
37-4210SP	15mm W X 12mm L, 10° Lordotic - 10mm H	0.64
37-4211SP	15mm W X 12mm L, 10° Lordotic - 11mm H	0.70
37-4212SP	15mm W X 12mm L, 10° Lordotic - 12mm H	0.77

CONSTRUX Mini PTC Implants (Cont.)

15mm x 15mm Lordotic Implants

Part #	Description	Graft Vol. (cc)
37-5006SP	15mm W x 15mm L, 5° Lordotic - 6mm H	0.55
37-5007SP	15mm W x 15mm L, 5° Lordotic - 7mm H	0.65
37-5008SP	15mm W x 15mm L, 5° Lordotic - 8mm H	0.75
37-5009SP	15mm W x 15mm L, 5° Lordotic - 9mm H	0.84
37-5010SP	15mm W x 15mm L, 5° Lordotic - 10mm H	0.94
37-5011SP	15mm W x 15mm L, 5° Lordotic - 11mm H	1.04
37-5012SP	15mm W x 15mm L, 5° Lordotic - 12mm H	1.14
37-5207SP	15mm W X 15mm L, 10° Lordotic - 7mm H	0.58
37-5208SP	15mm W X 15mm L, 10° Lordotic - 8mm H	0.68
37-5209SP	15mm W X 15mm L, 10° Lordotic - 9mm H	0.78
37-5210SP	15mm W X 15mm L, 10° Lordotic - 10mm H	0.88
37-5211SP	15mm W X 15mm L, 10° Lordotic - 11mm H	0.98
37-5212SP	15mm W X 15mm L, 10° Lordotic - 12mm H	1.08



CONSTRUX Mini Ti Implants

12mm x 12mm Parallel Implants

Part #	Description	Graft Vol. (cc)
37-6105SP	12mm W X 12mm L, Parallel - 5mm H	0.27
37-6106SP	12mm W X 12mm L, Parallel - 6mm H	0.33
37-6107SP	12mm W X 12mm L, Parallel - 7mm H	0.38
37-6108SP	12mm W X 12mm L, Parallel - 8mm H	0.43
37-6109SP	12mm W X 12mm L, Parallel - 9mm H	0.49
37-6110SP	12mm W X 12mm L, Parallel - 10mm H	0.54
37-6111SP	12mm W X 12mm L, Parallel - 11mm H	0.59
37-6112SP	12mm W X 12mm L, Parallel - 12mm H	0.65

15mm x 12mm Parallel Implants

Part #	Description	Graft Vol. (cc)
37-7105SP	15mm W X 12mm L, Parallel - 5mm H	0.38
37-7106SP	15mm W X 12mm L, Parallel - 6mm H	0.45
37-7107SP	15mm W X 12mm L, Parallel - 7mm H	0.53
37-7108SP	15mm W X 12mm L, Parallel - 8mm H	0.60
37-7109SP	15mm W X 12mm L, Parallel - 9mm H	0.68
37-7110SP	15mm W X 12mm L, Parallel - 10mm H	0.75
37-7111SP	15mm W X 12mm L, Parallel - 11mm H	0.82
37-7112SP	15mm W X 12mm L, Parallel - 12mm H	0.90



CONSTRUX Mini Ti Implants (Cont.)

12mm x 12mm Lordotic Implants		
Part #	Description	Graft Vol. (cc)
37-6005SP	12mm W X 12mm L, 5° Lordotic - 5mm H	0.24
37-6006SP	12mm W X 12mm L, 5° Lordotic - 6mm H	0.30
37-6007SP	12mm W X 12mm L, 5° Lordotic - 7mm H	0.35
37-6008SP	12mm W X 12mm L, 5° Lordotic - 8mm H	0.40
37-6009SP	12mm W X 12mm L, 5° Lordotic - 9mm H	0.46
37-6010SP	12mm W X 12mm L, 5° Lordotic - 10mm H	0.51
37-6011SP	12mm W X 12mm L, 5° Lordotic - 11mm H	0.57
37-6012SP	12mm W X 12mm L, 5° Lordotic - 12mm H	0.62
37-6206SP	12mm W X 12mm L, 10° Lordotic - 6mm H	0.27
37-6207SP	12mm W X 12mm L, 10° Lordotic - 7mm H	0.33
37-6208SP	12mm W X 12mm L, 10° Lordotic - 8mm H	0.38
37-6209SP	12mm W X 12mm L, 10° Lordotic - 9mm H	0.43
37-6210SP	12mm W X 12mm L, 10° Lordotic - 10mm H	0.49
37-6211SP	12mm W X 12mm L, 10° Lordotic - 11mm H	0.54
37-6212SP	12mm W X 12mm L, 10° Lordotic - 12mm H	0.59
37-6306SP	12mm W X 12mm L, 15° Lordotic - 6mm H	0.25
37-6307SP	12mm W X 12mm L, 15° Lordotic - 7mm H	0.30
37-6308SP	12mm W X 12mm L, 15° Lordotic - 8mm H	0.35
37-6309SP	12mm W X 12mm L, 15° Lordotic - 9mm H	0.41
37-6310SP	12mm W X 12mm L, 15° Lordotic - 10mm H	0.46
37-6311SP	12mm W X 12mm L, 15° Lordotic - 11mm H	0.51
37-6312SP	12mm W X 12mm L, 15° Lordotic - 12mm H	0.57

CONSTRUX Mini Ti Implants (Cont.)

15mm x 12mm Lordotic Implants		
Part #	Description	Graft Vol. (cc)
37-7005SP	15mm W X 12mm L, 5° Lordotic - 5mm H	0.33
37-7006SP	15mm W X 12mm L, 5° Lordotic - 6mm H	0.41
37-7007SP	15mm W X 12mm L, 5° Lordotic - 7mm H	0.48
37-7008SP	15mm W X 12mm L, 5° Lordotic - 8mm H	0.55
37-7009SP	15mm W X 12mm L, 5° Lordotic - 9mm H	0.62
37-7010SP	15mm W X 12mm L, 5° Lordotic - 10mm H	0.70
37-7011SP	15mm W X 12mm L, 5° Lordotic - 11mm H	0.77
37-7012SP	15mm W X 12mm L, 5° Lordotic - 12mm H	0.84
37-7206SP	15mm W X 12mm L, 10° Lordotic - 6mm H	0.37
37-7207SP	15mm W X 12mm L, 10° Lordotic - 7mm H	0.44
37-7208SP	15mm W X 12mm L, 10° Lordotic - 8mm H	0.52
37-7209SP	15mm W X 12mm L, 10° Lordotic - 9mm H	0.59
37-7210SP	15mm W X 12mm L, 10° Lordotic - 10mm H	0.66
37-7211SP	15mm W X 12mm L, 10° Lordotic - 11mm H	0.73
37-7212SP	15mm W X 12mm L, 10° Lordotic - 12mm H	0.81
37-7306SP	15mm W X 12mm L, 15° Lordotic - 6mm H	0.33
37-7307SP	15mm W X 12mm L, 15° Lordotic - 7mm H	0.41
37-7308SP	15mm W X 12mm L, 15° Lordotic - 8mm H	0.48
37-7309SP	15mm W X 12mm L, 15° Lordotic - 9mm H	0.55
37-7310SP	15mm W X 12mm L, 15° Lordotic - 10mm H	0.63
37-7311SP	15mm W X 12mm L, 15° Lordotic - 11mm H	0.70
37-7312SP	15mm W X 12mm L, 15° Lordotic - 12mm H	0.77

CONSTRUX Mini Ti Implants (Cont.)

15mm x 15mm Lordotic Implants		
Part #	Description	Graft Vol. (cc)
37-8005SP	15mm W X 15mm L, 5° Lordotic - 5mm H	0.46
37-8006SP	15mm W X 15mm L, 5° Lordotic - 6mm H	0.56
37-8007SP	15mm W X 15mm L, 5° Lordotic - 7mm H	0.67
37-8008SP	15mm W X 15mm L, 5° Lordotic - 8mm H	0.77
37-8009SP	15mm W X 15mm L, 5° Lordotic - 9mm H	0.87
37-8015SP	15mm W X 15mm L, 5° Lordotic - 10mm H	0.98
37-8011SP	15mm W X 15mm L, 5° Lordotic - 11mm H	1.08
37-8012SP	15mm W x 12mm L, 5° Lordotic - 12mm H	1.18
37-8206SP	15mm W x 15mm L, 10° Lordotic - 6mm H	0.50
37-8207SP	15mm W X 15mm L, 10° Lordotic - 7mm H	0.60
37-8208SP	15mm W X 15mm L, 10° Lordotic - 8mm H	0.71
37-8209SP	15mm W X 15mm L, 10° Lordotic - 9mm H	0.81
37-8210SP	15mm W X 15mm L, 10° Lordotic - 10mm H	0.92
37-8211SP	15mm W X 15mm L, 10° Lordotic - 11mm H	1.02
37-8212SP	15mm W X 15mm L, 10° Lordotic - 12mm H	1.12
37-8306SP	15mm W X 15mm L, 15° Lordotic - 6mm H	0.43
37-8307SP	15mm W X 15mm L, 15° Lordotic - 7mm H	0.54
37-8308SP	15mm W X 15mm L, 15° Lordotic - 8mm H	0.64
37-8309SP	15mm W X 15mm L, 15° Lordotic - 9mm H	0.74
37-8310SP	15mm W X 15mm L, 15° Lordotic - 10mm H	0.85
37-8311SP	15mm W X 15mm L, 15° Lordotic - 11mm H	0.95
37-8312SP	15mm W X 15mm L, 15° Lordotic - 12mm H	1.05

CONSTRUX Mini Ti Implants (Cont.)

17mm x 15mm Lordotic Implants		
Part #	Description	Graft Vol. (cc)
37-9005SP	17mm W X 15mm L, 5° Lordotic - 5mm H	0.52
37-9006SP	17mm W X 15mm L, 5° Lordotic - 6mm H	0.64
37-9007SP	17mm W X 15mm L, 5° Lordotic - 7mm H	0.75
37-9008SP	17mm W X 15mm L, 5° Lordotic - 8mm H	0.87
37-9009SP	17mm W X 15mm L, 5° Lordotic - 9mm H	0.99
37-9010SP	17mm W X 15mm L, 5° Lordotic - 10mm H	1.11
37-9011SP	17mm W X 15mm L, 5° Lordotic - 11mm H	1.23
37-9012SP	17mm W X 15mm L, 5° Lordotic - 12mm H	1.35
37-9206SP	17mm W X 15mm L, 10° Lordotic - 6mm H	0.57
37-9207SP	17mm W X 15mm L, 10° Lordotic - 7mm H	0.68
37-9208SP	17mm W X 15mm L, 10° Lordotic - 8mm H	0.80
37-9209SP	17mm W X 15mm L, 10° Lordotic - 9mm H	0.92
37-9210SP	17mm W X 15mm L, 10° Lordotic - 10mm H	1.04
37-9211SP	17mm W X 15mm L, 10° Lordotic - 11mm H	1.15
37-9212SP	17mm W X 15mm L, 10° Lordotic - 12mm H	1.27
37-9306SP	17mm W X 15mm L, 15° Lordotic - 6mm H	0.49
37-9307SP	17mm W X 15mm L, 15° Lordotic - 7mm H	0.61
37-9308SP	17mm W X 15mm L, 15° Lordotic - 8mm H	0.73
37-9309SP	17mm W X 15mm L, 15° Lordotic - 9mm H	0.84
37-9310SP	17mm W X 15mm L, 15° Lordotic - 10mm H	0.96
37-9311SP	17mm W X 15mm L, 15° Lordotic - 11mm H	1.08
37-9312SP	17mm W X 15mm L, 15° Lordotic - 12mm H	1.19

Modular Trial Caddy (OPTIONAL) Part # 47-9117

Part #	Description
47-1105	12mm W x 12mm L, Parallel - 5mm H
47-1106	12mm W x 12mm L, Parallel - 6mm H
47-1107	12mm W x 12mm L, Parallel - 7mm H
47-1108	12mm W x 12mm L, Parallel - 8mm H
47-1109	12mm W x 12mm L, Parallel - 9mm H
47-1110	12mm W x 12mm L, Parallel - 10mm H
47-1111	12mm W x 12mm L, Parallel - 11mm H
47-1112	12mm W x 12mm L, Parallel - 12mm H
47-2105	15mm W x 12mm L, Parallel - 5mm H
47-2106	15mm W x 12mm L, Parallel - 6mm H
47-2107	15mm W x 12mm L, Parallel - 7mm H
47-2108	15mm W x 12mm L, Parallel - 8mm H
47-2109	15mm W x 12mm L, Parallel - 9mm H
47-2110	15mm W x 12mm L, Parallel - 10mm H
47-2111	15mm W x 12mm L, Parallel - 11mm H
47-2112	15mm W x 12mm L, Parallel - 12mm H
47-1005	12mm W x 12mm L, 5° Lordotic - 5mm H
47-1006	12mm W x 12mm L, 5° Lordotic - 6mm H
47-1007	12mm W x 12mm L, 5° Lordotic - 7mm H
47-1008	12mm W x 12mm L, 5° Lordotic - 8mm H
47-1009	12mm W x 12mm L, 5° Lordotic - 9mm H
47-1010	12mm W x 12mm L, 5° Lordotic - 10mm H
47-1011	12mm W x 12mm L, 5° Lordotic - 11mm H
47-1012	12mm W x 12mm L, 5° Lordotic - 12mm H
47-2005	15mm W x 12mm L, 5° Lordotic - 5mm H
47-2006	15mm W x 12mm L, 5° Lordotic - 6mm H
47-2007	15mm W x 12mm L, 5° Lordotic - 7mm H
47-2008	15mm W x 12mm L, 5° Lordotic - 8mm H
47-2009	15mm W x 12mm L, 5° Lordotic - 9mm H
47-2010	15mm W x 12mm L, 5° Lordotic - 10mm H
47-2011	15mm W x 12mm L, 5° Lordotic - 11mm H
47-2012	15mm W x 12mm L, 5° Lordotic - 12mm H

Modular Trial Caddy - 15° (OPTIONAL) Part# 47-9124

Part #	Description
47-3606	12mm W x 12mm D, 15° Lordotic - 6mm H
47-3607	12mm W x 12mm D, 15° Lordotic - 7mm H
47-3608	12mm W x 12mm D, 15° Lordotic - 8mm H
47-3609	12mm W x 12mm D, 15° Lordotic - 9mm H
47-3610	12mm W x 12mm D, 15° Lordotic - 10mm H
47-3611	12mm W x 12mm D, 15° Lordotic - 11mm H
47-3612	12mm W x 12mm D, 15° Lordotic - 12mm H
47-3706	15mm W x 12mm D, 15° Lordotic - 6mm H
47-3707	15mm W x 12mm D, 15° Lordotic - 7mm H
47-3708	15mm W x 12mm D, 15° Lordotic - 8mm H
47-3709	15mm W x 12mm D, 15° Lordotic - 9mm H
47-3710	15mm W x 12mm D, 15° Lordotic - 10mm H
47-3711	15mm W x 12mm D, 15° Lordotic - 11mm H
47-3712	15mm W x 12mm D, 15° Lordotic - 12mm H
47-3806	15mm W x 15mm D, 15° Lordotic - 6mm H
47-3807	15mm W x 15mm D, 15° Lordotic - 7mm H
47-3808	15mm W x 15mm D, 15° Lordotic - 8mm H
47-3809	15mm W x 15mm D, 15° Lordotic - 9mm H
47-3810	15mm W x 15mm D, 15° Lordotic - 10mm H
47-3811	15mm W x 15mm D, 15° Lordotic - 11mm H
47-3812	15mm W x 15mm D, 15° Lordotic - 12mm H
37-3906	17mm W x 15mm L, 15° Lordotic - 6mm H
37-3907	17mm W x 15mm L, 15° Lordotic - 7mm H
37-3908	17mm W x 15mm L, 15° Lordotic - 8mm H
37-3909	17mm W x 15mm L, 15° Lordotic - 9mm H
37-3910	17mm W x 15mm L, 15° Lordotic - 10mm H
37-3911	17mm W x 15mm L, 15° Lordotic - 11mm H
37-3912	17mm W x 15mm L, 15° Lordotic - 12mm H

*Items in blue available upon request only.

Double Ended Trials

Part #	Description
47-6006	12mm W x 12mm L, 5° Lordotic - 6/7mm H
47-6008	12mm W x 12mm L, 5° Lordotic - 8/9mm H
47-6010	12mm W x 12mm L, 5° Lordotic - 10/11mm H
47-6012	12mm W x 12mm L, 5° Lordotic - 12/13mm H
47-6106	12mm W x 12mm L, 10° Lordotic - 6/7mm H
47-6108	12mm W x 12mm L, 10° Lordotic - 8/9mm H
47-6110	12mm W x 12mm L, 10° Lordotic - 10/11mm H
47-6112	12mm W x 12mm L, 10° Lordotic - 12/13mm H
47-6206	15mm W x 12mm L, 5° Lordotic - 6/7mm H,
47-6208	15mm W x 12mm L, 5° Lordotic - 8/9mm H
47-6210	15mm W x 12mm L, 5° Lordotic - 10/11mm H
47-6212	15mm W x 12mm L, 5° Lordotic - 12/13mm H
47-6306	15mm W x 12mm L, 10° Lordotic - 6/7mm H
47-6308	15mm W x 12mm L, 10° Lordotic - 8/9mm H
47-6310	15mm W x 12mm L, 10° Lordotic - 10/11mm H
47-6312	15mm W x 12mm L, 10° Lordotic - 12/13mm H
47-6406	15mm W x 15mm L, 5° Lordotic - 6/7mm H
47-6408	15mm W x 15mm L, 5° Lordotic - 8/9mm H
47-6410	15mm W x 15mm L, 5° Lordotic - 10/11mm H
47-6412	15mm W x 15mm L, 5° Lordotic - 12/13mm H
47-6506	15mm W x 15mm L, 10° Lordotic - 6/7mm H
47-6508	15mm W x 15mm L, 10° Lordotic - 8/9mm H
47-6510	15mm W x 15mm L, 10° Lordotic - 10/11mm H
47-6512	15mm W x 15mm L, 10° Lordotic - 12/13mm H
47-6806	17mm W x 15mm L, 5° Lordotic - 6/7mm H
47-6808	17mm W x 15mm L, 5° Lordotic - 8/9mm H
47-6810	17mm W x 15mm L, 5° Lordotic - 10/11mm H
47-6812	17mm W x 15mm L, 5° Lordotic - 12/13mm H
47-6716	17mm W x 15mm L, 10° Lordotic - 6/7mm H
47-6718	17mm W x 15mm L, 10° Lordotic - 8/9mm H
47-6720	17mm W x 15mm L, 10° Lordotic - 10/11mm H
47-6722	17mm W x 15mm L, 10° Lordotic - 12/13mm H

Rasp Kit (OPTIONAL) Part # 47-9130

Part #	Description
47-9306	Rasp - 12mm W x 12mm D, 5° Lordotic - 6mm H
47-9307	Rasp - 12mm W x 12mm D, 5° Lordotic - 7mm H
47-9308	Rasp - 12mm W x 12mm D, 5° Lordotic - 8mm H
47-9309	Rasp - 12mm W x 12mm D, 5° Lordotic - 9mm H
47-9506	Rasp - 15mm W x 12mm D, 5° Lordotic - 6mm H
47-9507	Rasp - 15mm W x 12mm D, 5° Lordotic - 7mm H
47-9508	Rasp - 15mm W x 12mm D, 5° Lordotic - 8mm H
47-9509	Rasp - 15mm W x 12mm D, 5° Lordotic - 9mm H
47-9616	Rasp - 15mm W x 15mm D, 5° Lordotic - 6mm H
47-9617	Rasp - 15mm W x 15mm D, 5° Lordotic - 7mm H
47-9618	Rasp - 15mm W x 15mm D, 5° Lordotic - 8mm H
47-9619	Rasp - 15mm W x 15mm D, 5° Lordotic - 9mm H
47-9716	Rasp - 17mm W x 15mm D, 5° Lordotic - 6mm H
47-9717	Rasp - 17mm W x 15mm D, 5° Lordotic - 7mm H
47-9718	Rasp - 17mm W x 15mm D, 5° Lordotic - 8mm H
47-9719	Rasp - 17mm W x 15mm D, 5° Lordotic - 9mm H

Instruments, Cases and Trays

Part #	Description
47-1040	Implant Inserter, CONSTRUX Mini
30-1030	Impactor
47-1020	Trial Handle, CONSTRUX Mini
83-9040	Universal Rasp
47-9120	CONSTRUX Mini Spacer System - Instrument Kit



*Items in blue available upon request only.

Please visit [Orthofix.com/IFU](https://www.orthofix.com/IFU) for full information on indications for use, contraindications, warnings, precautions, adverse reactions and sterilization.

Caution: Federal law (USA) restricts this device to sale by or on the order of a physician. Proper surgical procedure is the responsibility of the medical professional. Operative techniques are furnished as an informative guideline. Each surgeon must evaluate the appropriateness of a technique based on his or her personal medical credentials and experience.



Orthofix
3451 Plano Parkway
Lewisville, Texas 75056-9453 USA
1.214.937.3199
1.888.298.5700
www.orthofix.com



Medical Device Safety Services (MDSS):
Schiffgraben 41
30175, Hannover
Germany
www.mdss.com

Rx Only
CE²⁷⁹⁷

Orthofix products or services referenced herein are trademarks or registered trademarks of Orthofix Medical Inc. and its group of companies. All rights reserved.