

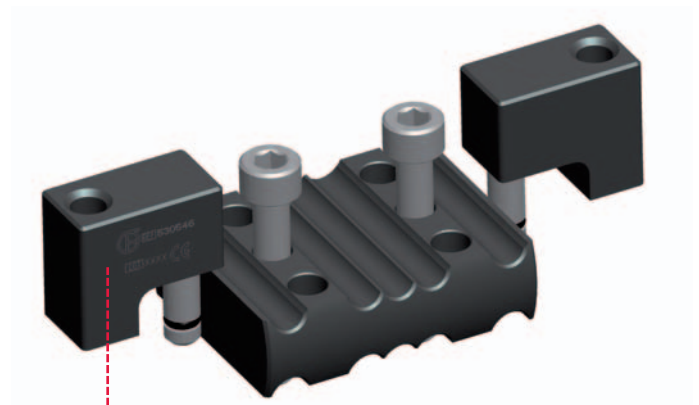


# LRS ADVanced Sandwich Clamp

53548 LRS ADVanced Sandwich Clamp, height: 8 mm



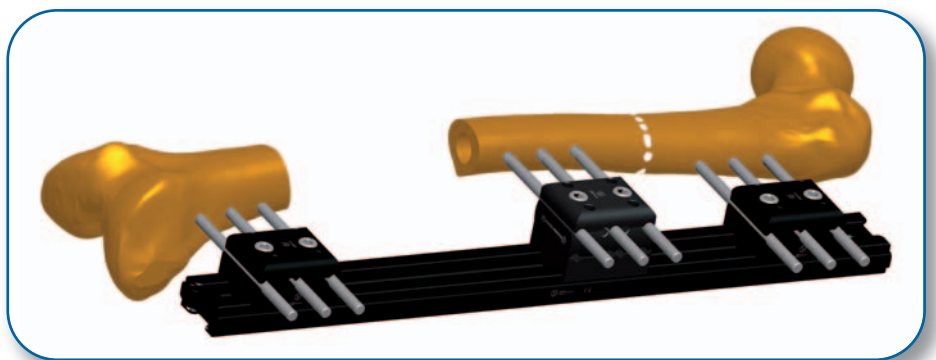
53547 LRS ADVanced Sandwich Clamp, height: 15 mm



Compression-Distraction Unit Attachment

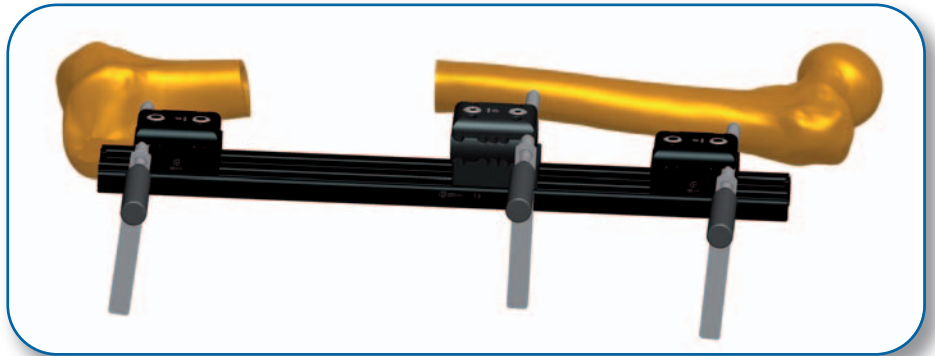


The Sandwich Clamp is inserted between the base and the cover of a LRS ADV Straight Clamp to raise the position of screw insertion above the rail. Two models of Sandwich Clamp are available, depending on the displacement caused by the curvature of the femur: 8 mm (53548) and 15 mm (53547). This clamp is useful when the femur is curved, to allow placement of screws in the middle clamp in the center of the bone. It is used with longer clamp locking screws to allow fixation to the rail. Extension pieces (compression-distraction unit attachments) for the seating of the compression-distraction modules are provided.

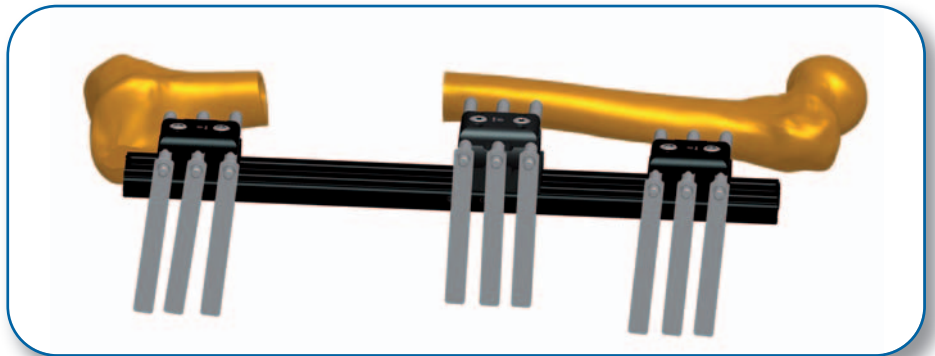




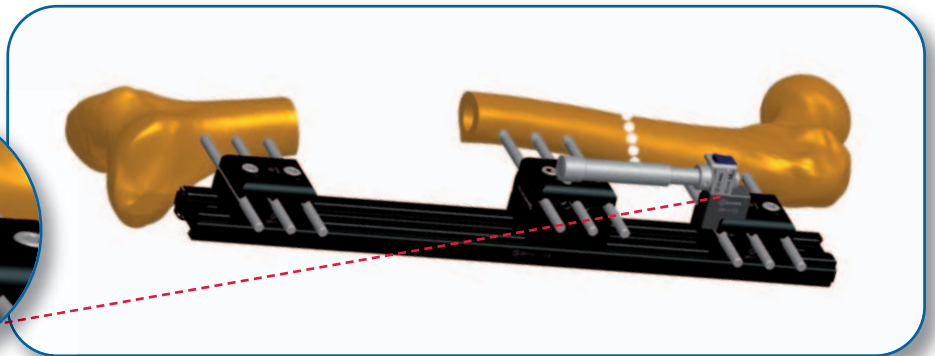
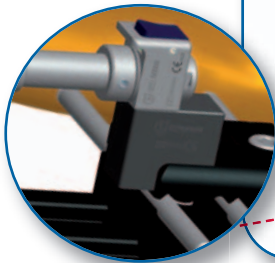
With the assistant holding the distal clamp firmly in place, the surgeon checks that satisfactory screw insertions can be achieved at chosen sites in the proximal, distal and central clamps.



Once this has been achieved, the rail, is held in position while the screws are inserted using the standard technique.



The Compression-Distractor Unit Attachments are applied on the straight clamp cover and the Compression-Distractor Units inserted.



Manufactured by: ORTHOFIX Srl  
Via Delle Nazioni 9  
37012 Bussolengo (Verona)  
Italy

Telephone +39-0456719000  
Fax +39-0456719380



Your Distributor is:

